

KL12KNG

THE NEXT GENERATION IN BARRIER
HANDLING

WIDEST GRIP RANGE IN THE INDUSTRY
50% INCREASED PAD SURFACE
50% INCREASED GRIP DISTRIBUTION
FOLD-A-WAY SAFETY HANDLE
FULLY AUTOMATIC OPERATION

4" TO 12" SLOPED WALL GRIP RANGE
(5" TO 15" VERTICAL WALL)

6" X 36" NON-MARRING, NON-SLIP
URETHANE GRIPPING PADS

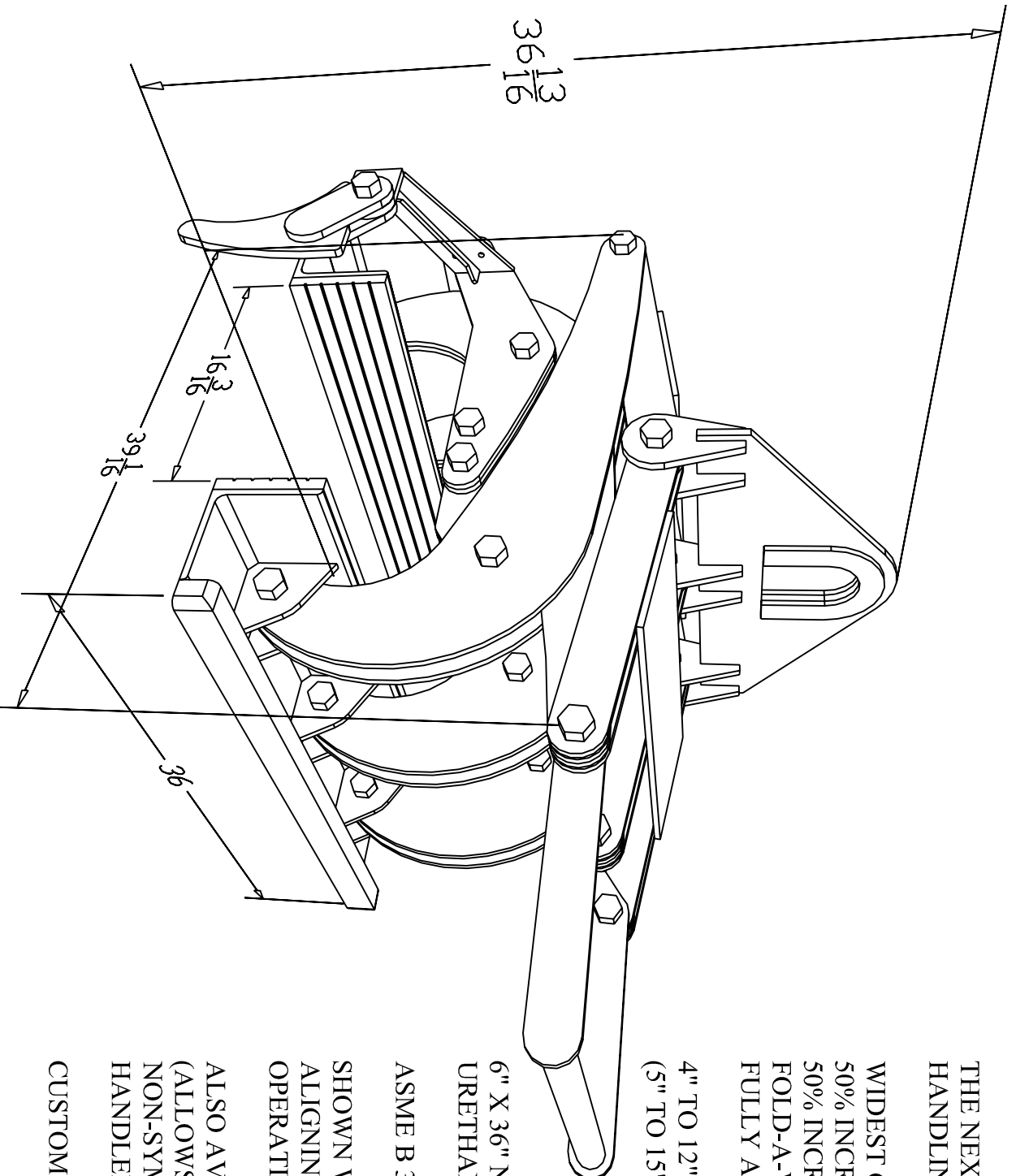
ASME B 30.20 CONFORMANT.

SHOWN WITH OPTIONAL SELF
ALIGNING LEGS (ALLOWS HANDS FREE
OPERATION)

ALSO AVAILABLE WITH LIMIT LINKAGE
(ALLOWS SINGLE-FACED OR
NON-SYMMETRICAL WALL TO BE
HANDLED LEVEL)

CUSTOM MODELS AVAILABLE

SUBJECT TO CHANGE

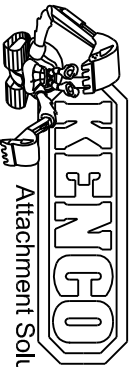


DRAWN BY:

GREG CVEYKUS

DATE:

7/8/2008



KENCO CORP.
170 STATE ROUTE 271
LIGONIER PA 15658

(800)653-6069
WWW.KENCO.COM

THE INFORMATION PROVIDED WITHIN THIS
DRAWING IS THE PROPERTY OF KENCO CORP. ANY
REPRODUCTION, TRANSMITTAL, OR USAGE OF ANY
KIND IS PROHIBITED WITHOUT WRITTEN PERMISSION.

WEIGHT

800

DESCRIPTION

CAPACITY

12000

KL12KNG

PART NO.

KL12KNG

REVISION