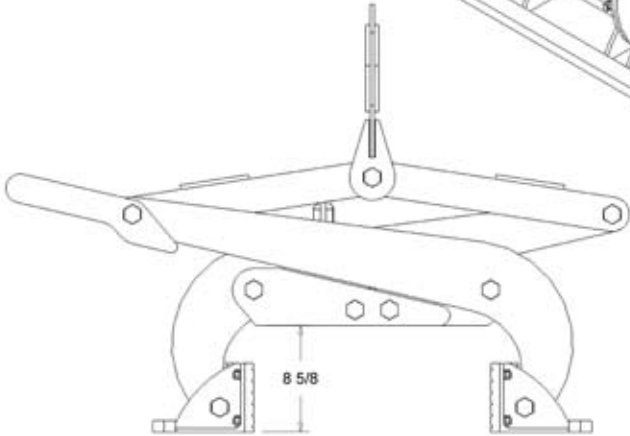
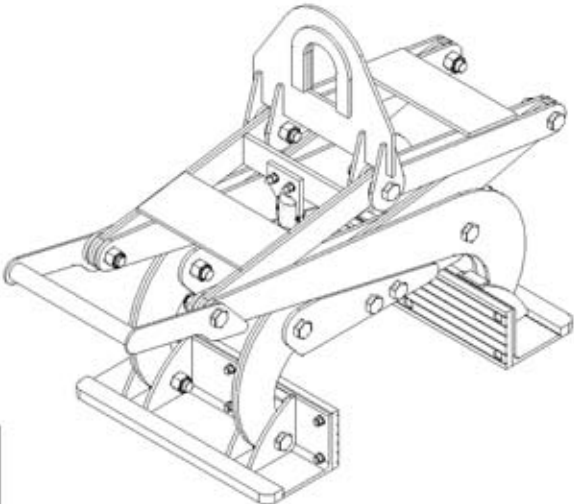
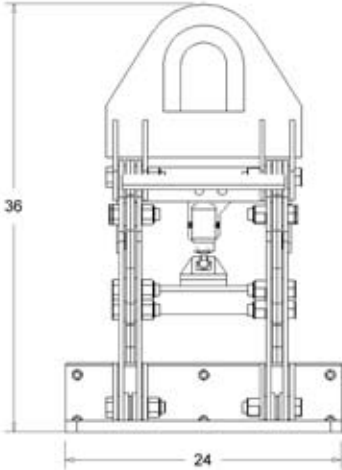


CAPACITY: 9,000 LBS.
 RANGE: 6" TO 12"



Opening accommodates
 6 inch to 12 inch wall sizes



DRAWN BY:
 T. FREIDHOFF

DATE:
 5/9/08



KENCO CORP.
 170 STATE ROUTE 271
 LGONIER PA 15658

(800)653-6069
 WWW.KENCO.COM

THE INFORMATION PROVIDED WITHIN THIS
 DRAWING IS THE PROPERTY OF KENCO CORP. ANY
 REPRODUCTION, TRANSMITTAL, OR USAGE OF ANY
 KIND IS PROHIBITED WITHOUT WRITTEN PERMISSION.

DIMS. = IN.

TOLERANCES:

FRACT.: ±1/16"
 ANG.: MACH ±1°
 BEND ±1°
 DEC.: X.XX ±.03
 X.XXX ±.01

DESCRIPTION

NG 9,000
 SPECIFICATION SHEET

REVISION	
1	DWG.
1	