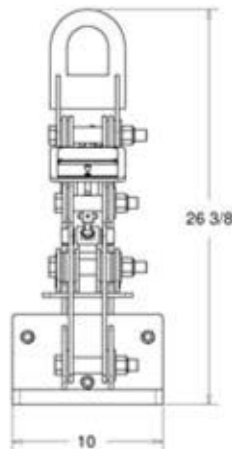
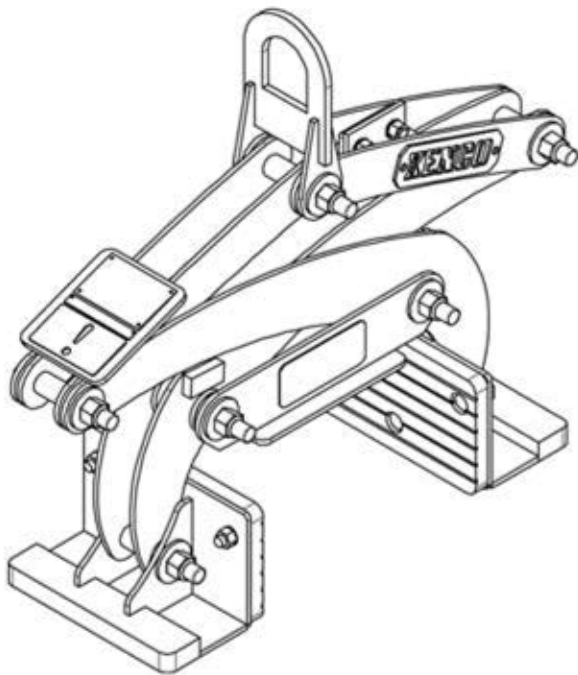


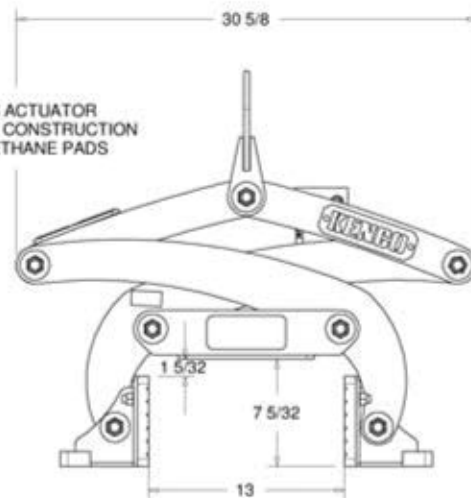
# KENCO MONUMENT LIFTER

*Kenco - serving the needs of the construction industry since 1984.*

**Move block and monument automatically**



AUTOMATIC ACTUATOR  
A514 STEEL CONSTRUCTION  
6" X 10" URETHANE PADS



**MODEL: TSL15C3T12**  
**WEIGHT: 115 POUNDS**  
**CAPACITY: 1500 POUNDS**  
**GRIP RANGE: 3 - 12 inches**  
**PRICE: \$1,750**

DRAWN BY:  
T. FREIDHOFF  
DATE  
9/13/12



KENCO CORP.  
170 STATE ROUTE 271  
LIGONIER PA 15658  
(800)653-6069  
WWW.KENCO.COM  
THE INFORMATION PROVIDED WITHIN THIS DRAWING IS THE PROPERTY OF KENCO CORP. ANY REPRODUCTION, TRANSMITTAL, OR USAGE OF ANY KIND IS PROHIBITED WITHOUT WRITTEN PERMISSION.

DIMS. = IN.  
TOLERANCES:  
FRACT.: ±1/16"  
ANG.: MACH ±1°  
BEND ±1°  
DEC.: X.XX ±.03  
X.XXX ±.01

DESCRIPTION  
MONUMENT LIFTER  
TSL15C3T12

REVISION	
1	DWG.
1	