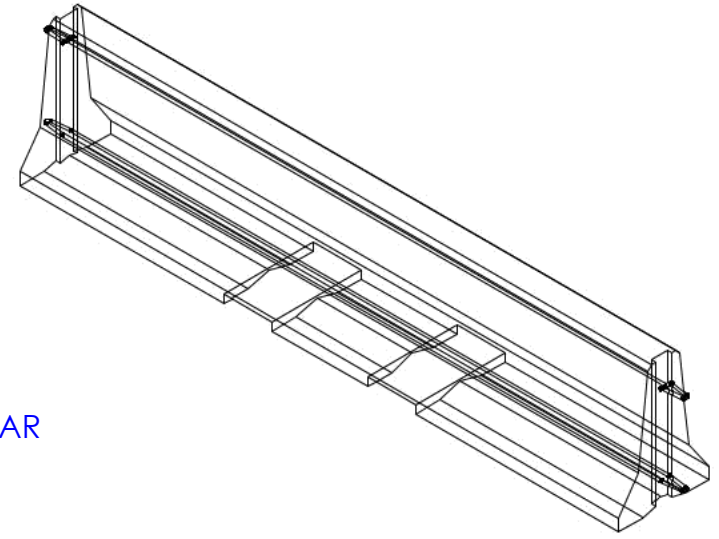


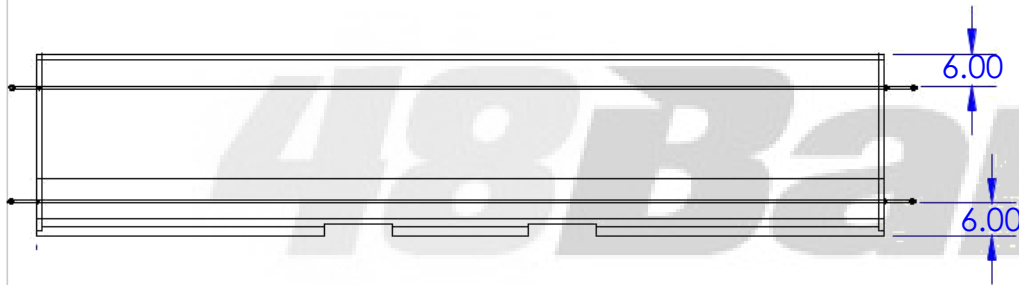
TOP VIEW



ISOMETRIC VIEW

(4X) #6 REBAR  
HOOKS

TOP 2 HOOKS CONNECTED BY 1 #6 REBAR  
BOTTOM 2 HOOKS CONNECTED BY 2 #6 REBAR



**48Barriers™**

PIEDMONT, OKLAHOMA 73078

CONTRACTOR:

PROJECT:

LOCATION:

COUNTY:

DRAWN	JLF
SALES ORDER	
WEIGHT	5202.730 lbs.

**SPECIFICATIONS**

Concrete has design strength of a min. of 4,000 PSI @ 28 days  
Tolerance is per manufacturer's standard  
Designed for HS-20 Loading

**PROPRIETARY AND CONFIDENTIAL**  
THE INFORMATION CONTAINED IN THIS DRAWING IS THE SOLE PROPERTY OF NANCE PRECAST CONCRETE PRODUCTS. ANY REPRODUCTION IN PART OR AS A WHOLE WITHOUT THE WRITTEN PERMISSION OF NANCE PRECAST CONCRETE PRODUCTS IS PROHIBITED.

SIZE

A

SCALE: 1:34

STR. NO:

PMB

UNITS: Inches

REV

SHEET 1 OF 1