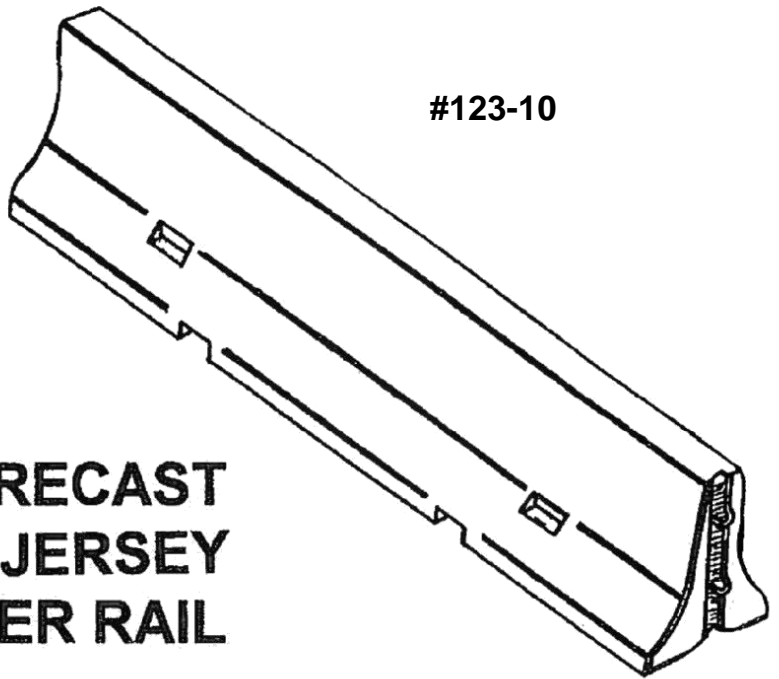
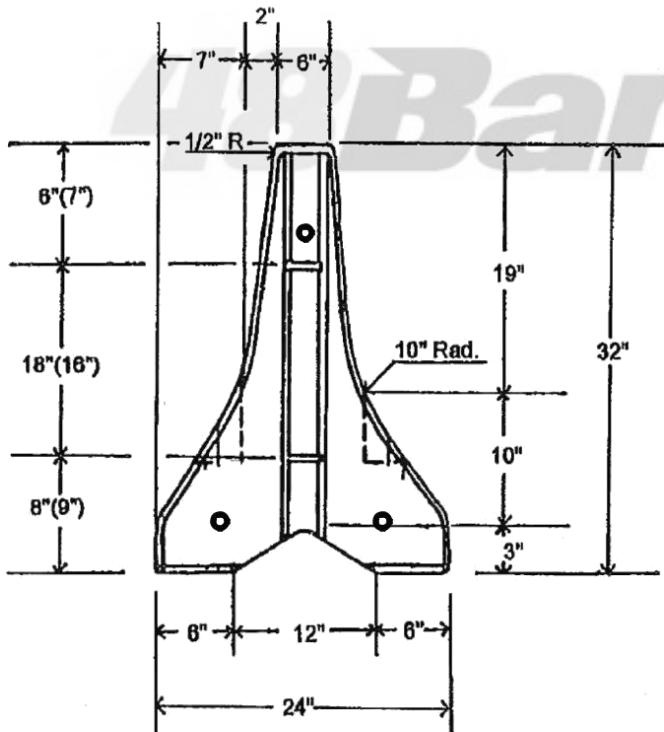


**PRECAST
CONCRETE
SAFETY BARRIERS**

#123-10



**PRECAST
NEW JERSEY
CONCRETE BARRIER RAIL**



- Standard Length: 10 Ft.
- Weight: 3,750 lbs.
- #4 Rebar Rods, (3 ea.)
- 1/2" Steel Cable Loops, 2' Depth tie back

48Barriers™